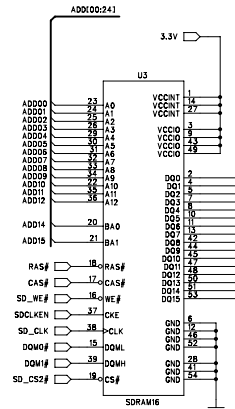
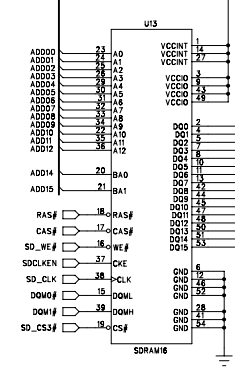


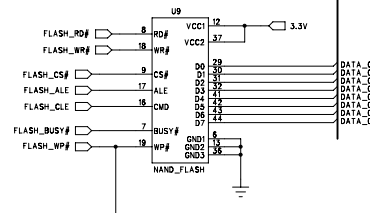
SDRAM



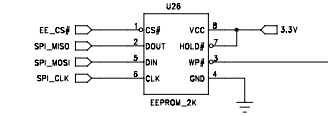
SDRAM



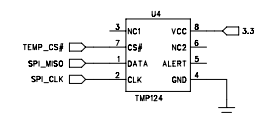
NAND Flash



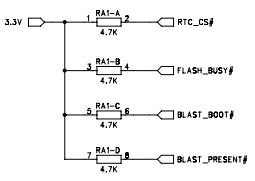
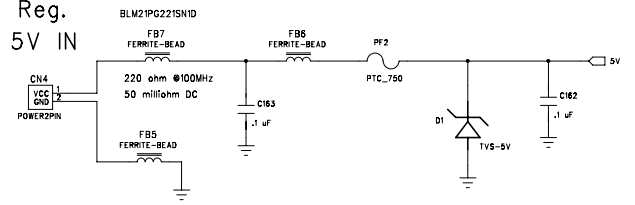
EEPROM



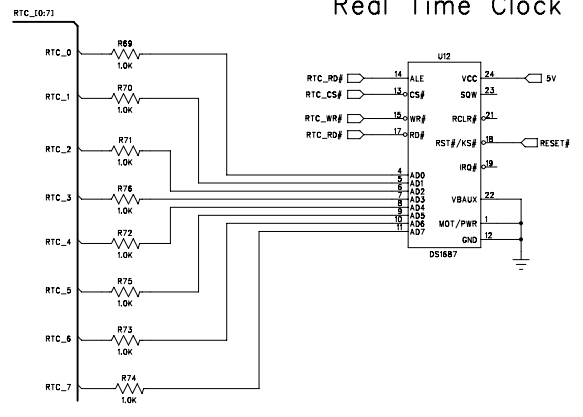
Temp Sensor



Reg. 5V IN

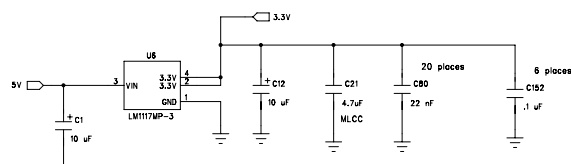


Battery-Backed Real Time Clock

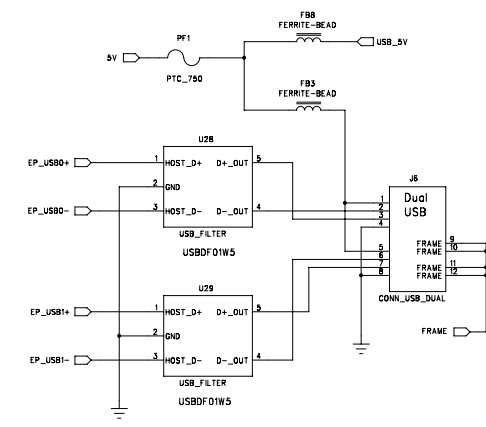
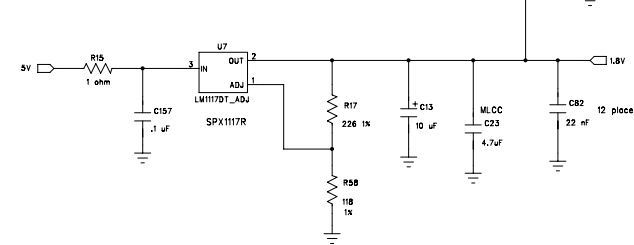


Technologic Systems	Date	Sept. 6, 2006
Title: TS-7400 SDRAM, Flash, EEPROM, RTC		
Rev:	Designer	RLM
		Sheet 2 of 4

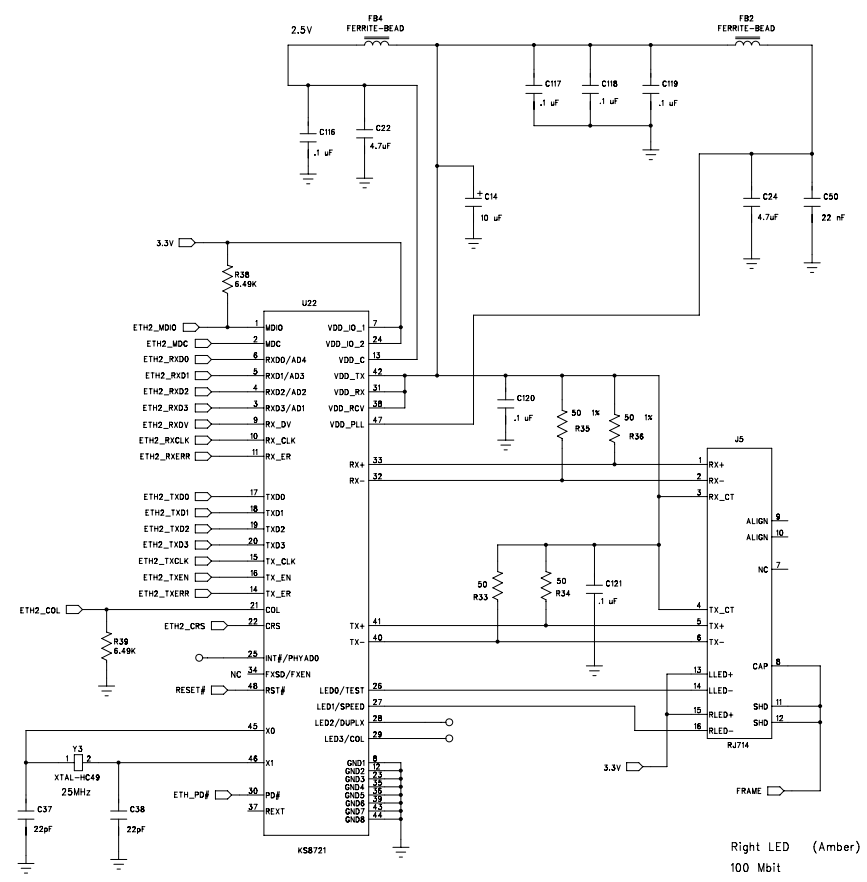
3.3V Regulator



1.8V Regulator



10/100 Ethernet



Defaults to PHY address 000D1

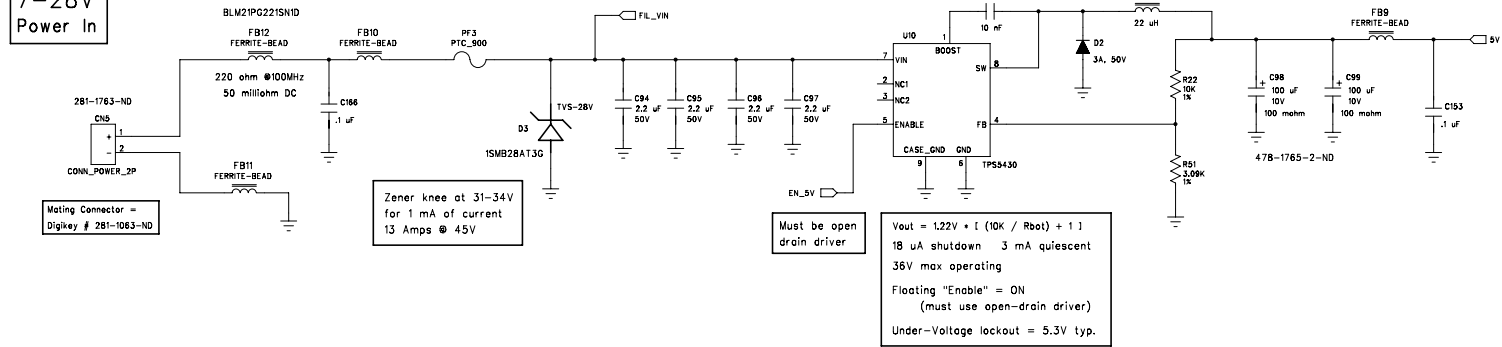
Right LED (Amber)
100 Mbit

Left LED (Green)
Link / Activity

Technologic Systems	Date	Sept. 6, 2006
Title: TS-7400 Ethernet, USB		
Rev:	Designer RLM	Sheet 3 of 4

5V Power Supply (2 Amps)

7-28V
Power In



Mating Connector =
Digkey # 281-1063-ND

Zener knee at 31-34V
for 1 mA of current
13 Amps @ 45V

Must be open
drain driver

Technologic Systems	Date	Sept. 6, 2006
Title: TS-7400 Switching Power Supply		
Rev:	Designer	Sheet 5 of 5