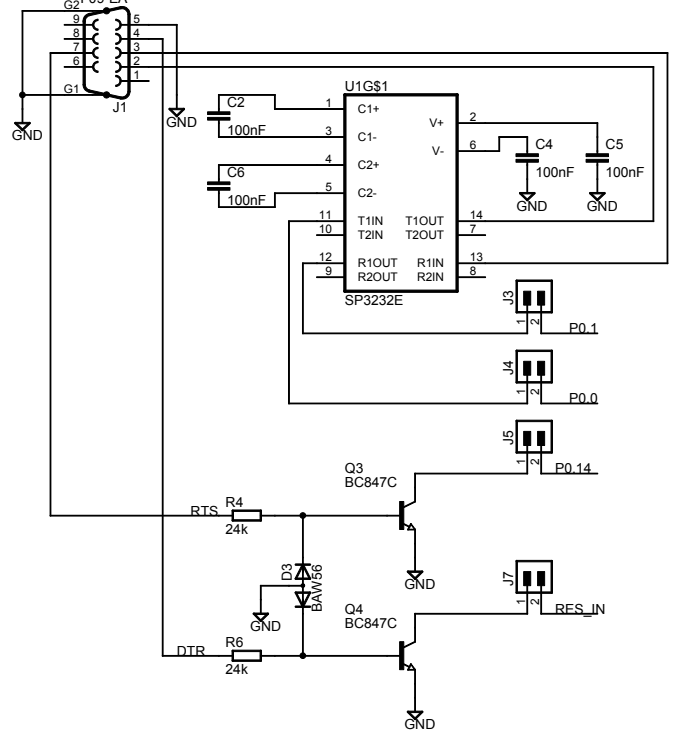
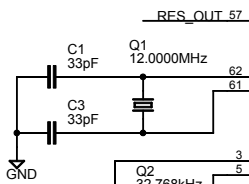


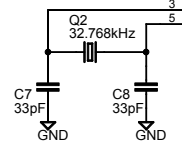
RS232 for UART#0 and ISP



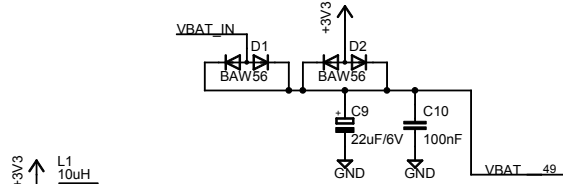
CPU Crystal



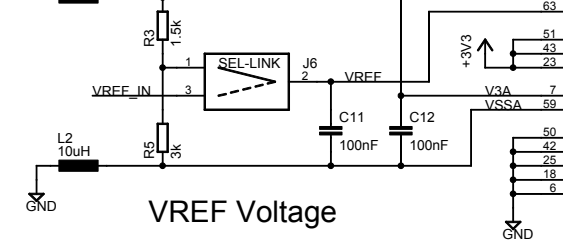
RTC Crystal



VBAT Power



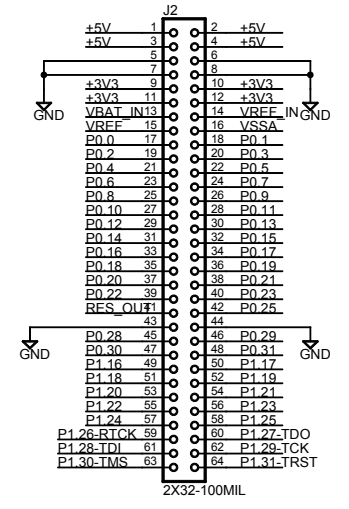
VREF Voltage



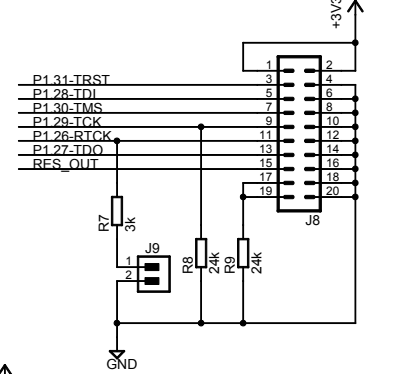
U2
LPC2148

RESET	P0.0/TXD0/PWM1	19	P0.0
	P0.1/RXD0/PWM3/EINT0	21	P0.1
	P0.2/CLK0/CAPO.0	22	P0.2
	P0.3/SDA0/MAT0.0/EINT1	26	P0.3
	P0.4/SCK0/CAPO.1/AIN6	27	P0.4
	P0.5/MISO/MAT0.1/AIN7	29	P0.5
	P0.6/MOSI/CAPO.2/AIN8	30	P0.6
	P0.7/SEL0/PWM2/EINT2	31	P0.7
	P0.8/TXD1/PWM4/AIN9	33	P0.8
	P0.9/RXD1/PWM6/EINT3	34	P0.9
	P0.10/RTS1/CAP1.0/AIN10	35	P0.10
	P0.11/CTS1/CAP1.1/SEL1	37	P0.11
	P0.12/DSR1/MAT1.0/AIN11	38	P0.12
	P0.13/DTR1/MAT1.1/AIN12	39	P0.13
	P0.14/DCD1/EINT1/SDA1	41	P0.14
	P0.15/R11/EINT2/AIN13	45	P0.15
	P0.16/EINT0/MAT0.2/CAPO.2	46	P0.16
	P0.17/CAP1.2/SCK1/MAT1.2	47	P0.17
	P0.18/CAP1.3/MISO1/MAT1.3	53	P0.18
	P0.19/MAT1.2/MOSI1/CAP1.2	54	P0.19
	P0.20/MAT1.3/SEL1/EINT3	55	P0.20
	P0.21/PWM5/AIN14/CAP1.3	1	P0.21
	P0.22/AIN15/CAPO.0/MAT0.0	2	P0.22
	P0.23	58	P0.23
	P0.25/AIN4/AOUT	9	P0.25
	P0.26/AIN5	10	P0.26
	P0.27/AIN0/CAPO.1/MAT0.1	11	P0.27
	P0.28/AIN1/CAPO.2/MAT0.2	13	P0.28
	P0.29/AIN2/CAPO.3/MAT0.3	14	P0.29
	P0.30/AIN3/EINT3/CAPO.0	15	P0.30
	P0.31	17	P0.31
	P1.16/TRACEPKT0	16	P1.16
	P1.17/TRACEPKT1	12	P1.17
	P1.18/TRACEPKT2	8	P1.18
	P1.19/TRACEPKT3	4	P1.19
	P1.20/TRACESYNC	48	P1.20
	P1.21/PIPESTAT0	44	P1.21
	P1.22/PIPESTAT1	40	P1.22
	P1.23/PIPESTAT2	36	P1.23
	P1.24/TRACECLK	32	P1.24
	P1.25/EXTINT0	28	P1.25
	P1.26/RTCK	24	P1.26-RTCK
	P1.27/TDO	64	P1.27-TDO
	P1.28/TDI	60	P1.28-TDI
	P1.29/TCK	56	P1.29-TCK
	P1.30/TMS	52	P1.30-TMS
	P1.31/TRST	20	P1.31-TRST

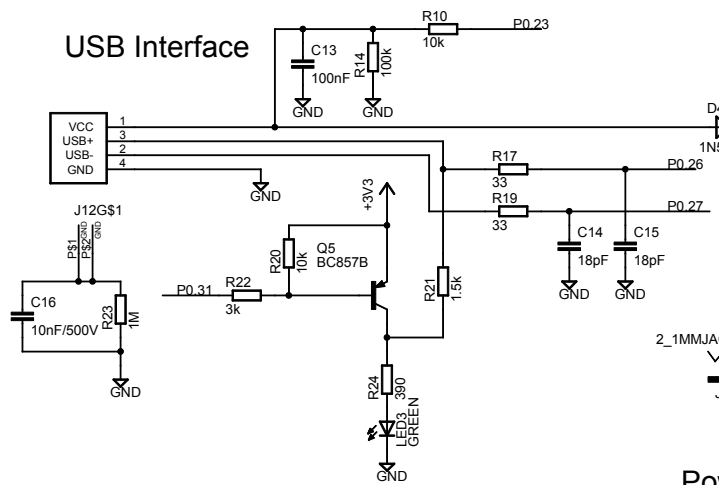
Expansion Connector



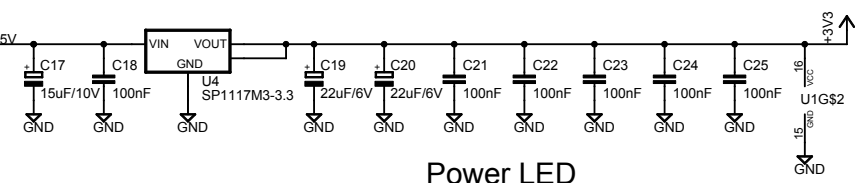
JTAG Interface



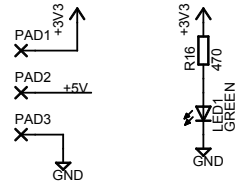
USB Interface



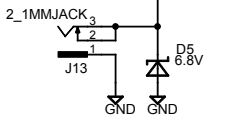
+3.3V Voltage Regulator



Power LED

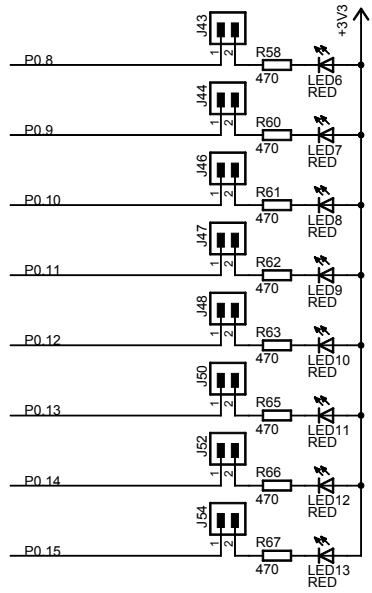


Power Input

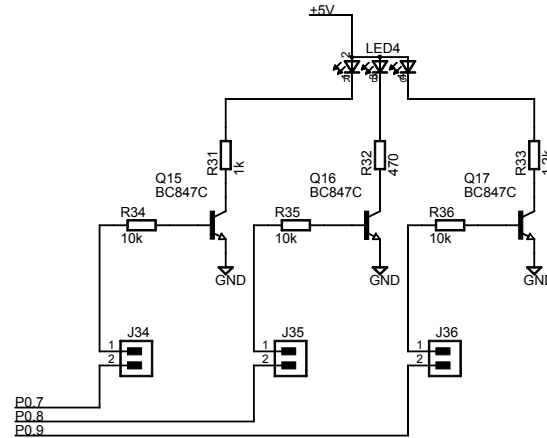


TITLE: LPC2148 EducationBoard v1.0	
Document Number:	REV: V1.5
Date: 1/02/2006 01:52:13p	Sheet: 1/3

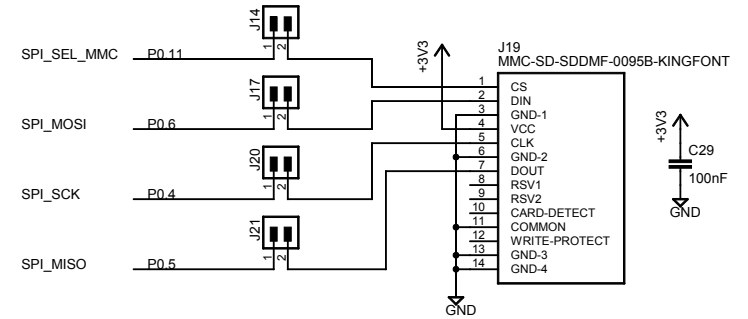
LEDs



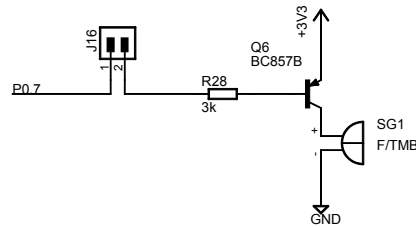
RGB LED



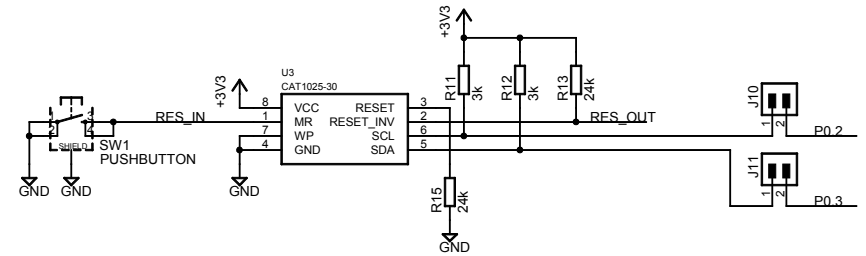
MMC/SD Interface



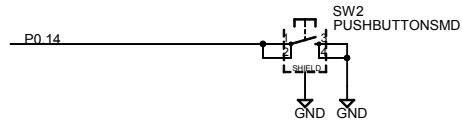
Buzzer



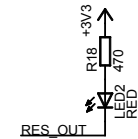
Reset Generation and I2C E2PROM



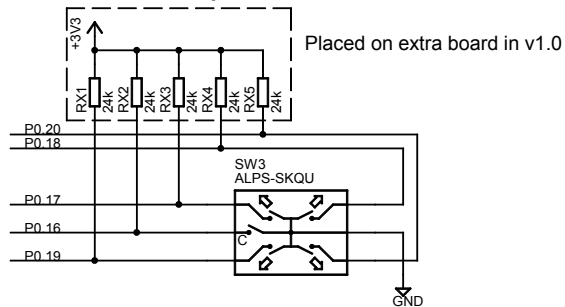
Push-button



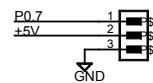
Reset LED



Joystick Switch



Servo Motor Interface Connector



TITLE: LPC2148 EducationBoard v1.0

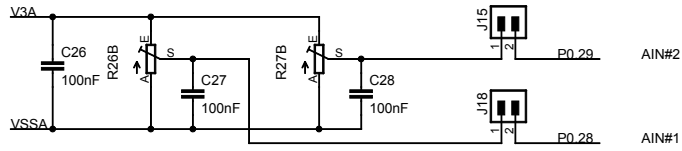
Document Number:

REV:

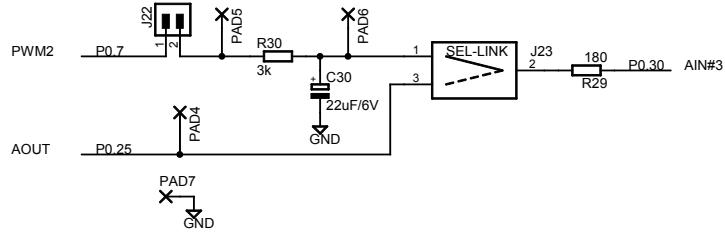
Date: 1/02/2006 01:52:13p

Sheet: 2/3

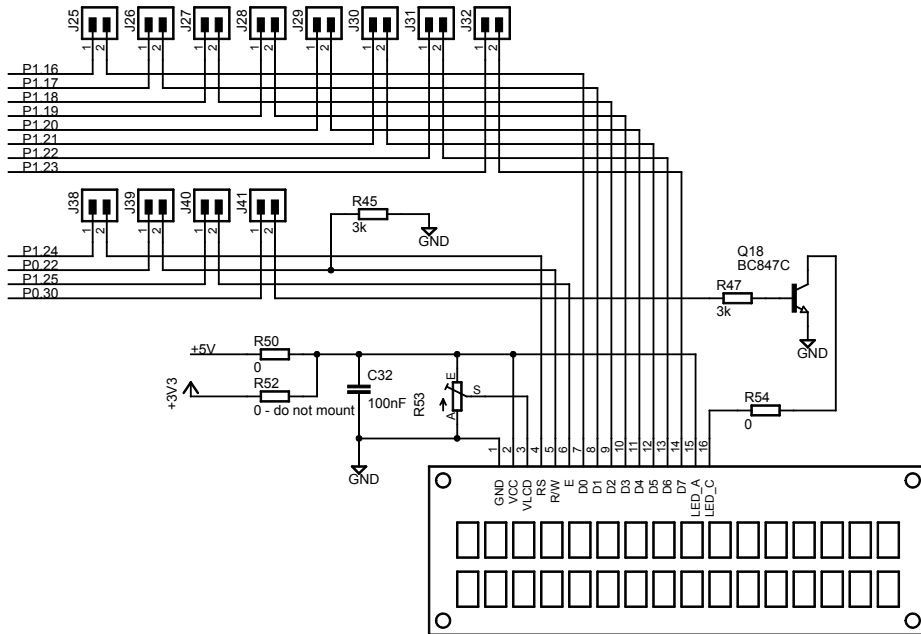
Analog Inputs



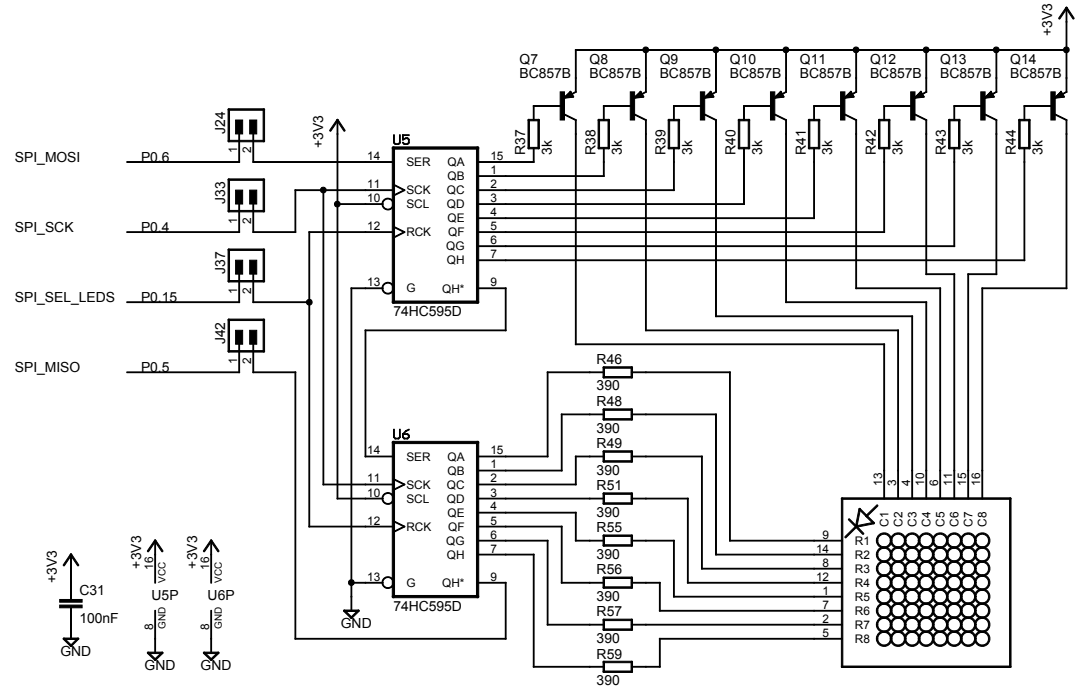
Analog Outputs



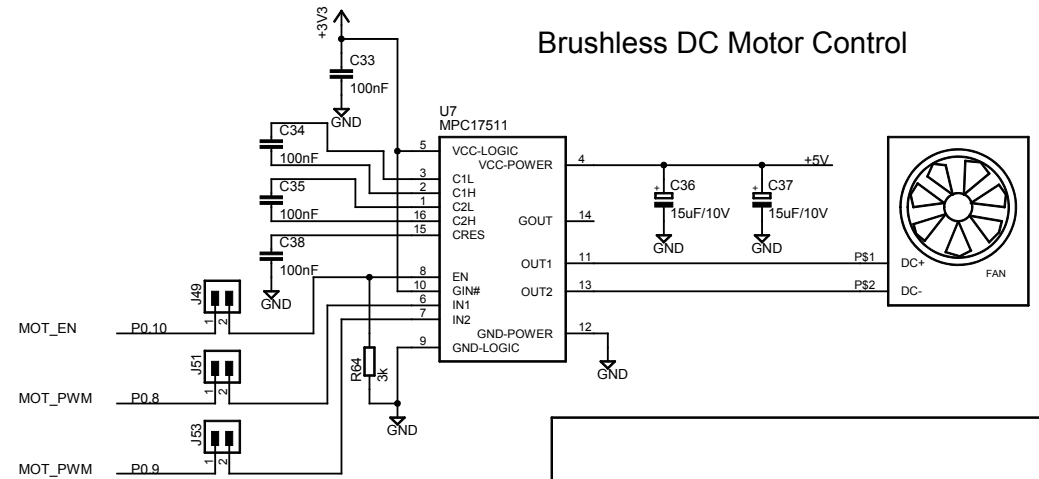
2x16 Character LCD Interface



8x8 LED Matrix with SPI Interface



Brushless DC Motor Control



TITLE: LPC2148 EducationBoard v1.0

Document Number:

REV:

Date: 1/02/2006 01:52:13p

Sheet: 3/3