

## Page 2

Complete design with CPU, UART to USB bridge,  
Expansion connector, RGB-LED, display and power supply

### Rev 1.1

Added J3 to isolate ISP functionality.

### Rev 1.0

Original revision



© Embedded Artists AB

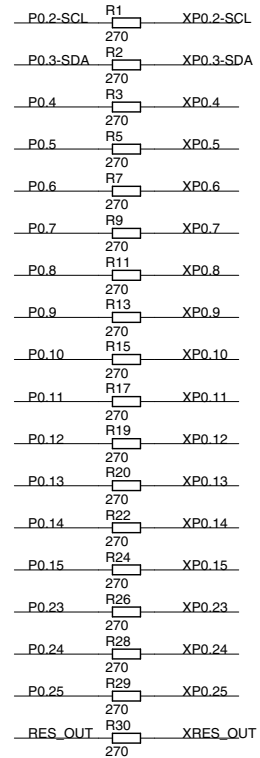
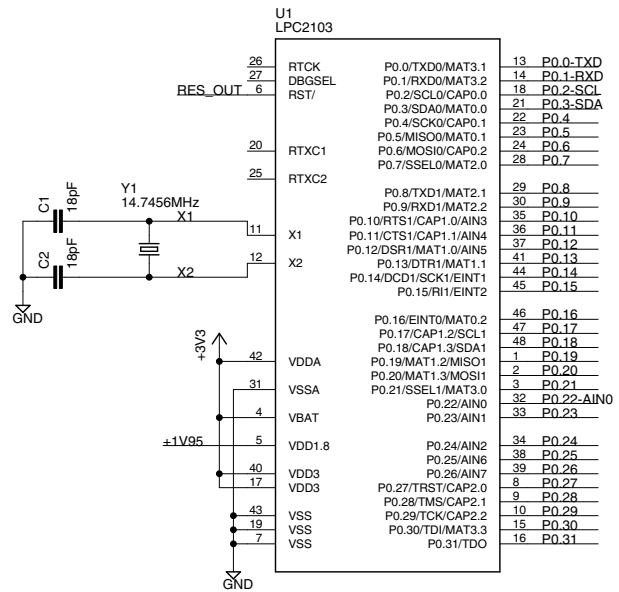
TITLE: LPC2103 Education Board v1.1

Document Number:

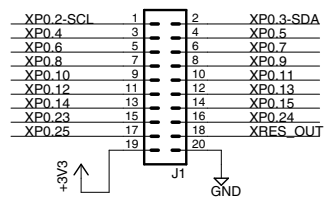
REV:

Date: 2009-04-10 22:50:24

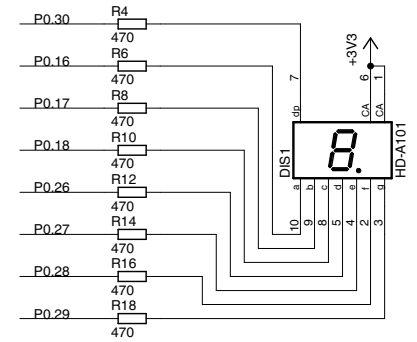
Sheet: 1/2



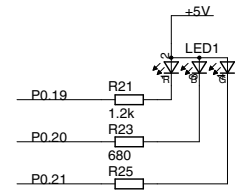
**Expansion connector**



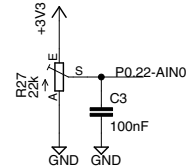
**7-segment display**



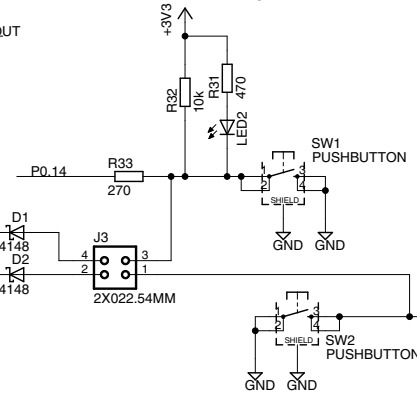
**RGB-LED**



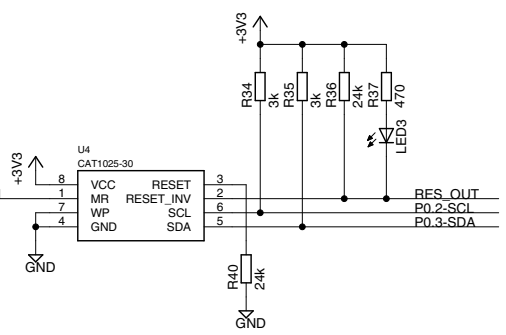
**Analog Input**



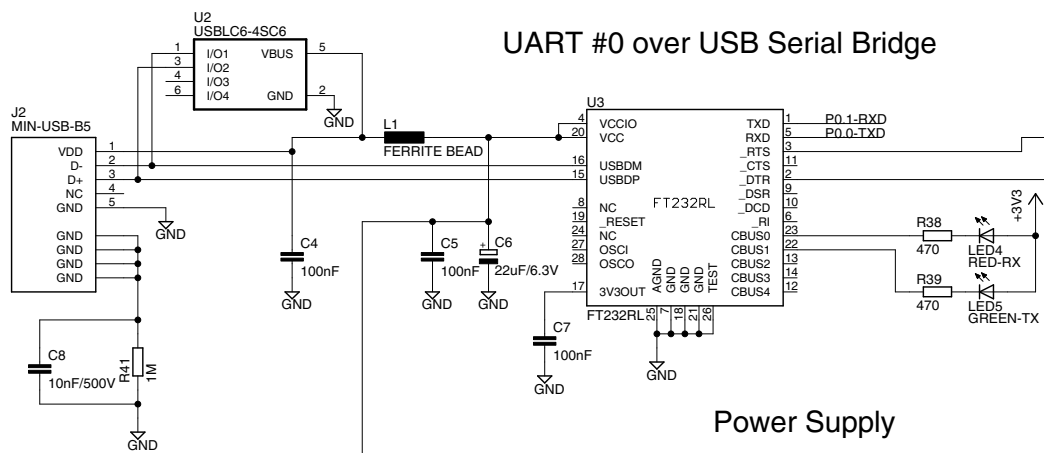
**ISP functionality**



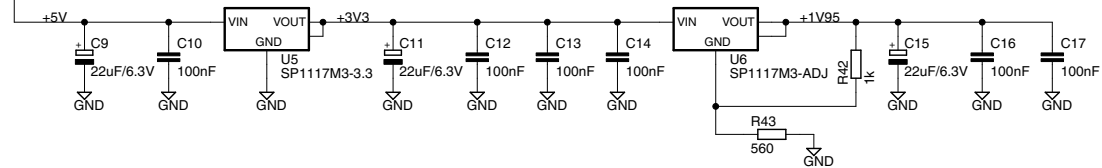
**I2C-E2PROM and RESET**



**UART #0 over USB Serial Bridge**



**Power Supply**



(C) Embedded Artists AB  
 TITLE: LPC2103 Education Board v1.1  
 Document Number: \_\_\_\_\_ REV: \_\_\_\_\_  
 Date: 2009-04-10 22:50:24 Sheet: 2/2