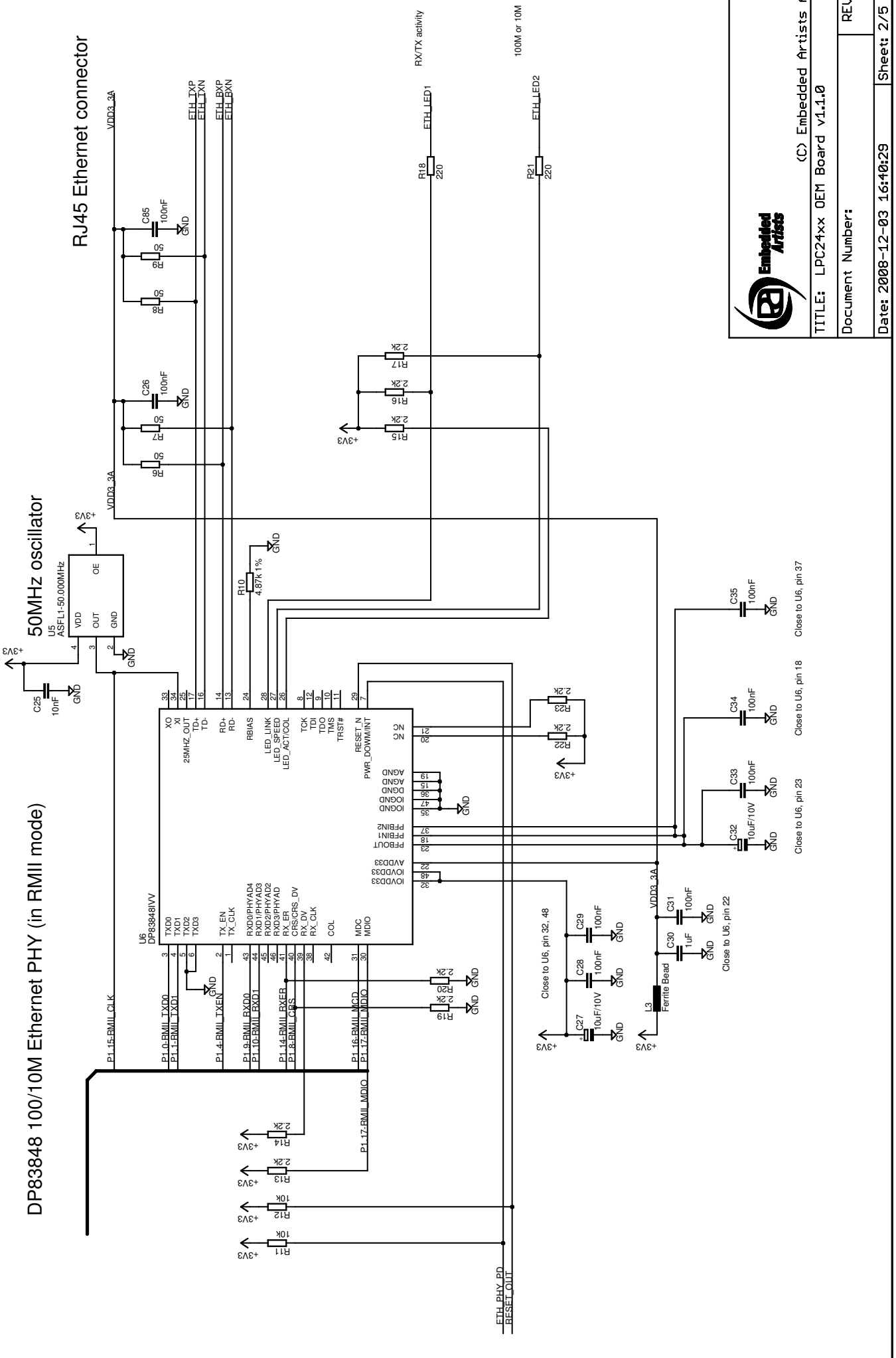
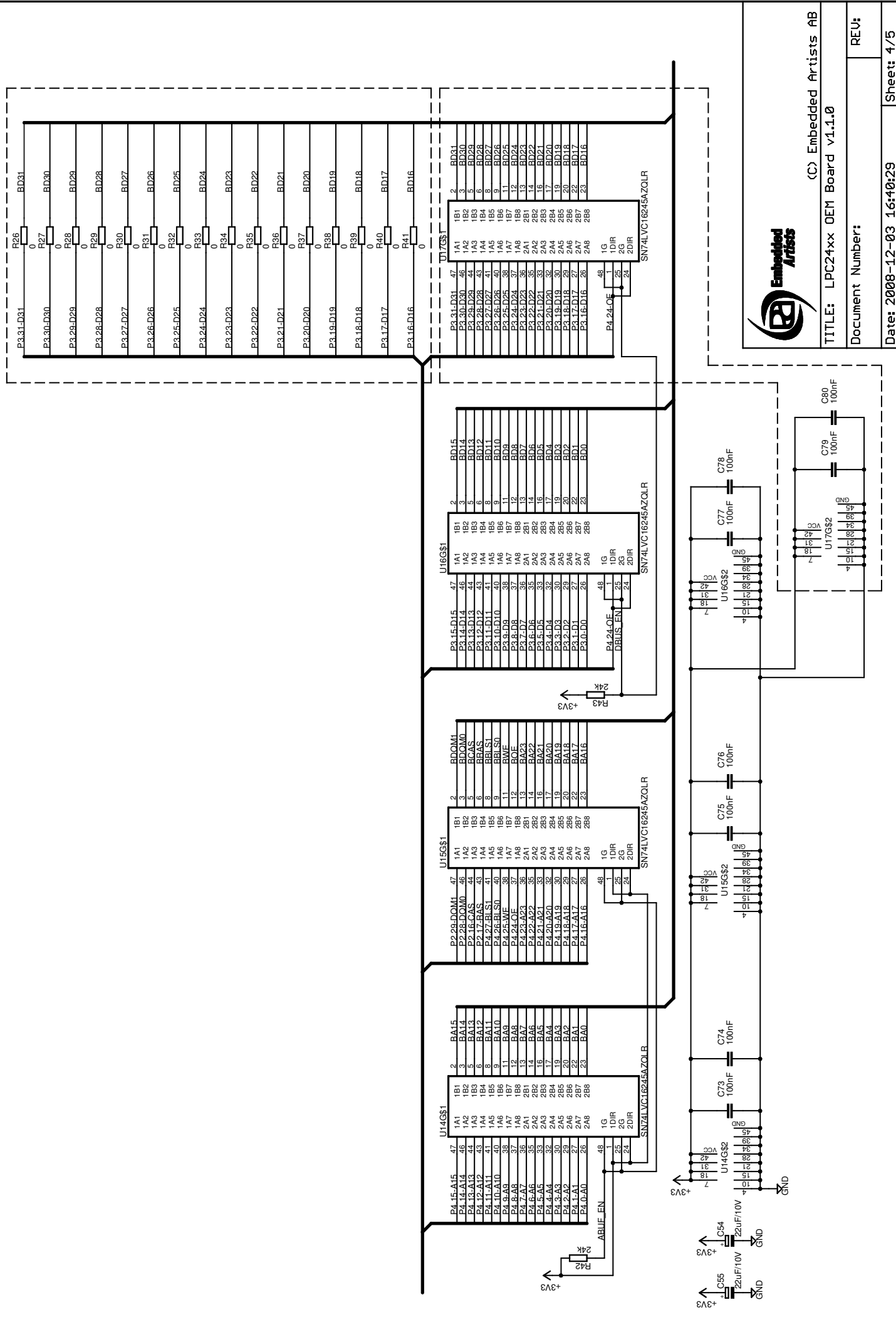


DP83848 100/10M Ethernet PHY (in RMII mode)

50MHz oscillator

RJ45 Ethernet connector





(C) Embedded Artists AB
 TITLE: LPC24xx OEM Board v1.1.0
 Document Number:
 REV:
 Date: 2008-12-03 16:40:29
 Sheet: 4/5

