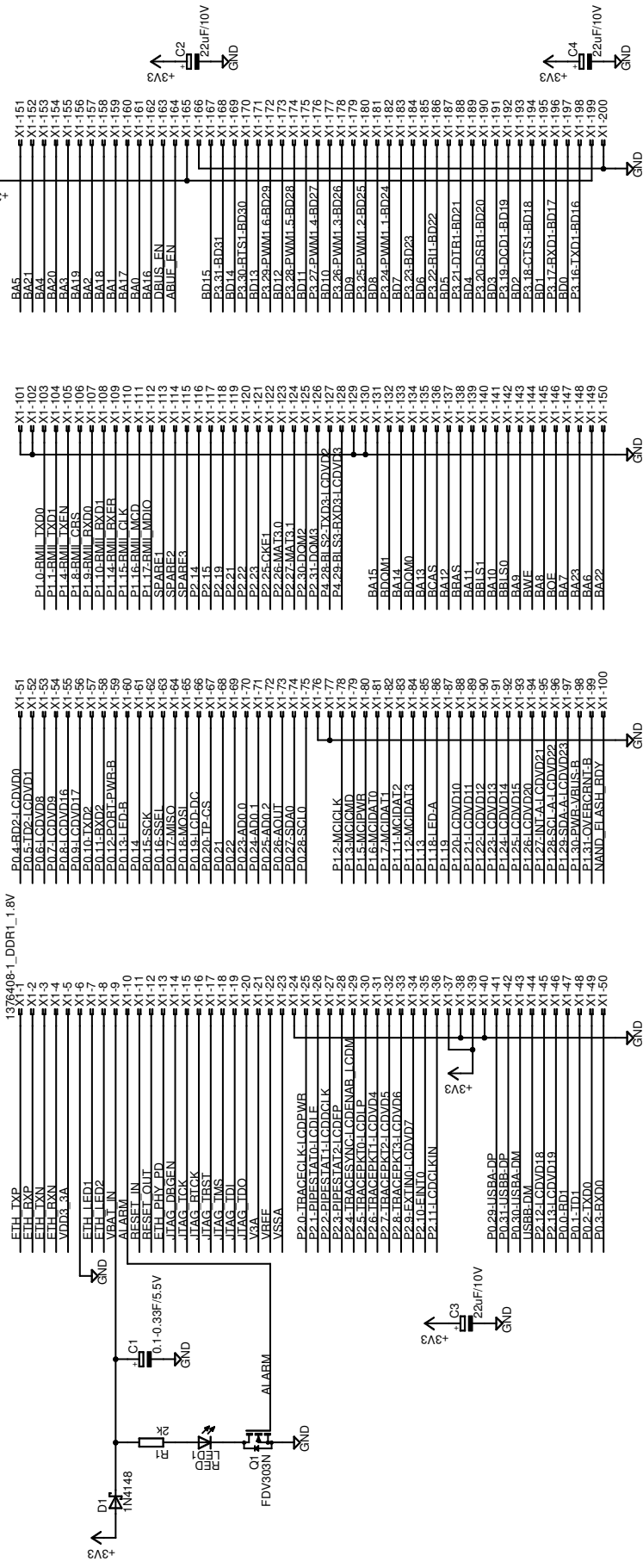
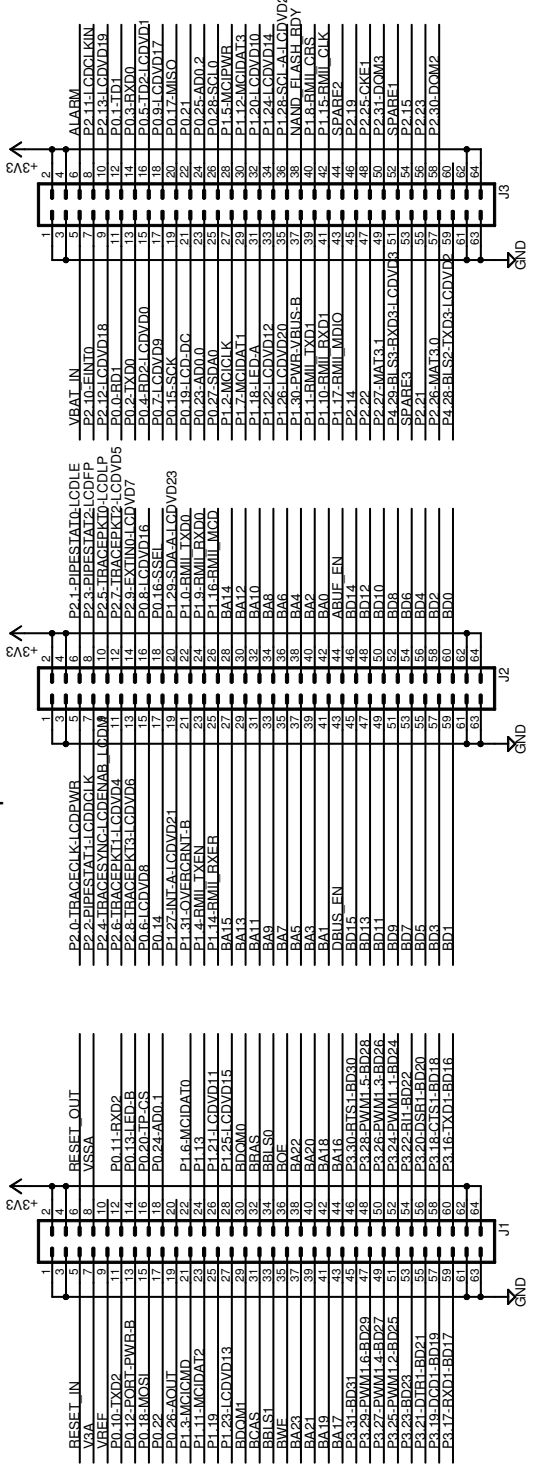


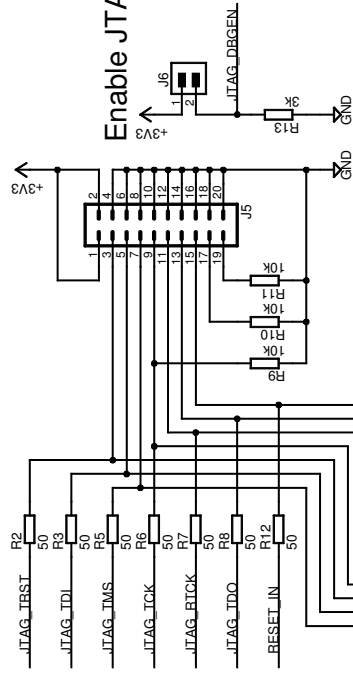
# OEM Board



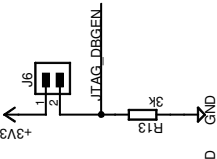
# Expansion Connectors



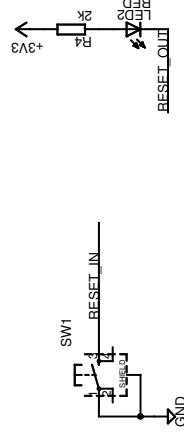
### JTAG Interface



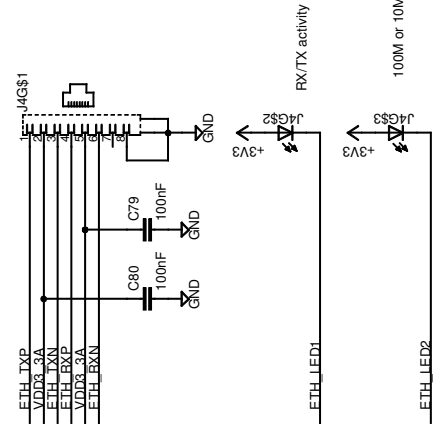
### Enable JTAG



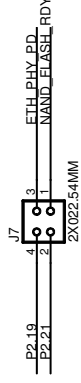
### Reset Push-button & LED



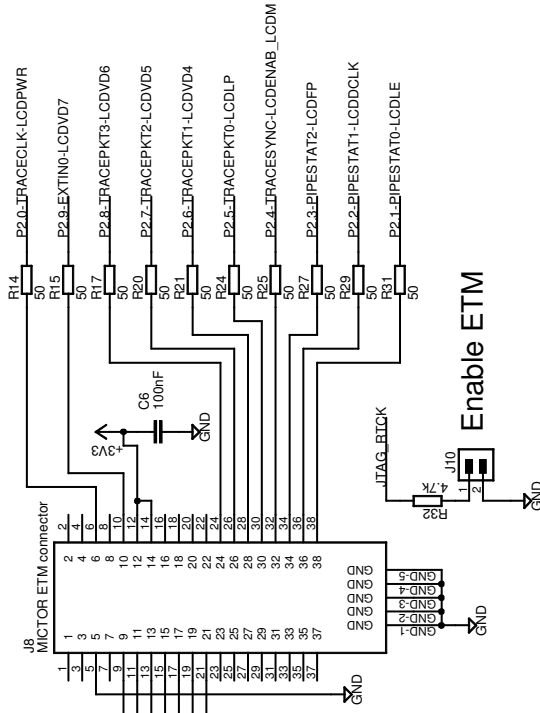
### RJ45 Ethernet Connector



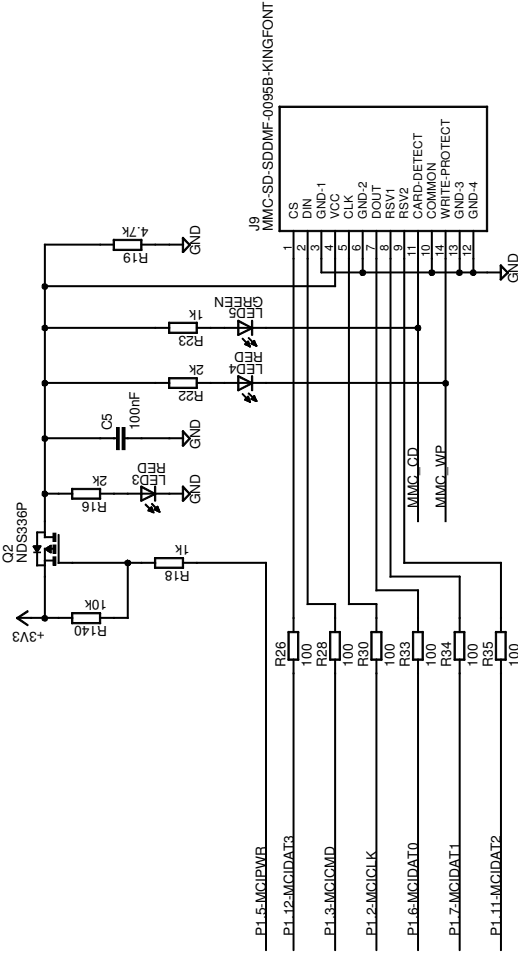
### Optional Connections



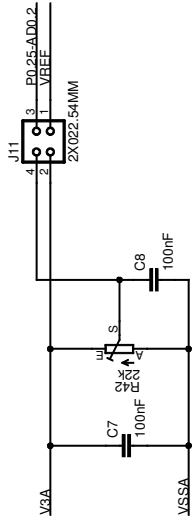
### ETM Interface



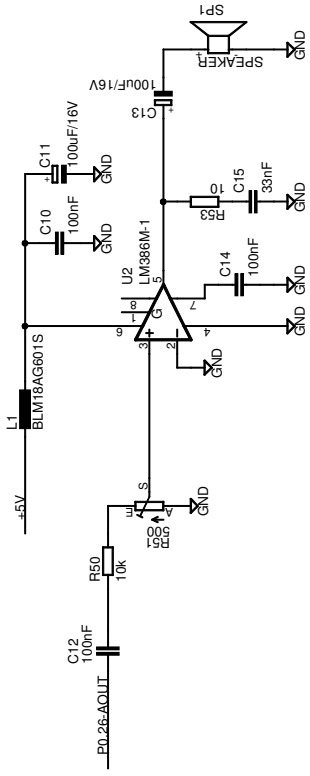
### MMC/SD Memory Card I/F



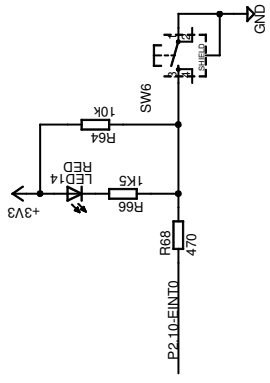
### Analog Input



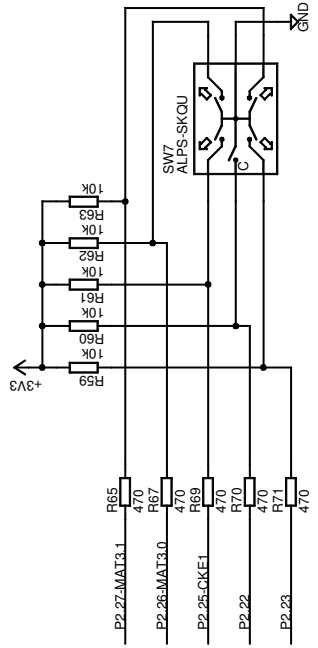
### Speaker Amplifier (DAC output)



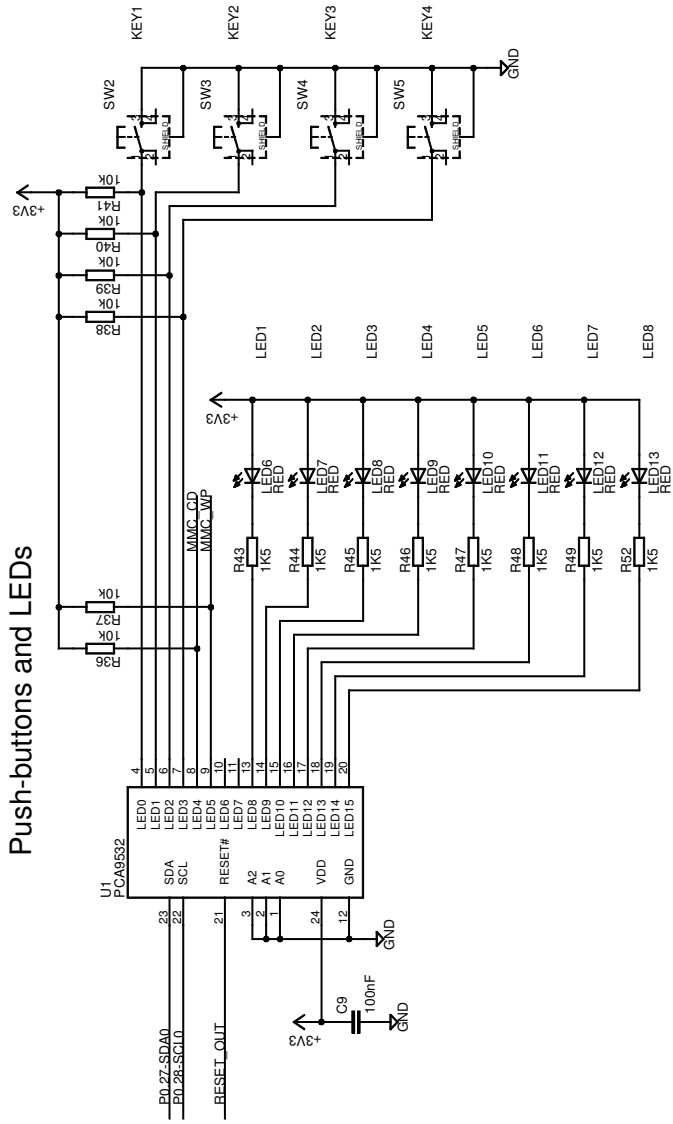
### Interrupt (P2.10) Key



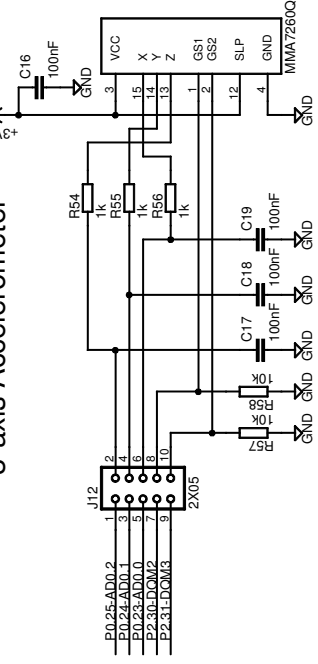
### 5-key Joystick Switch



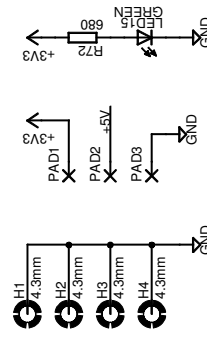
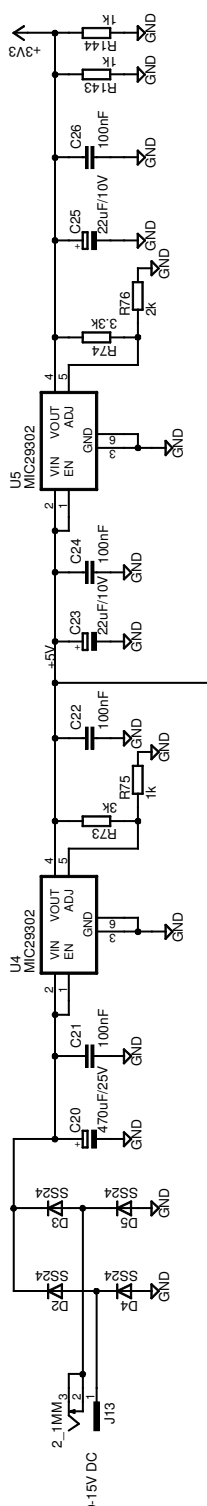
### Push-buttons and LEDs



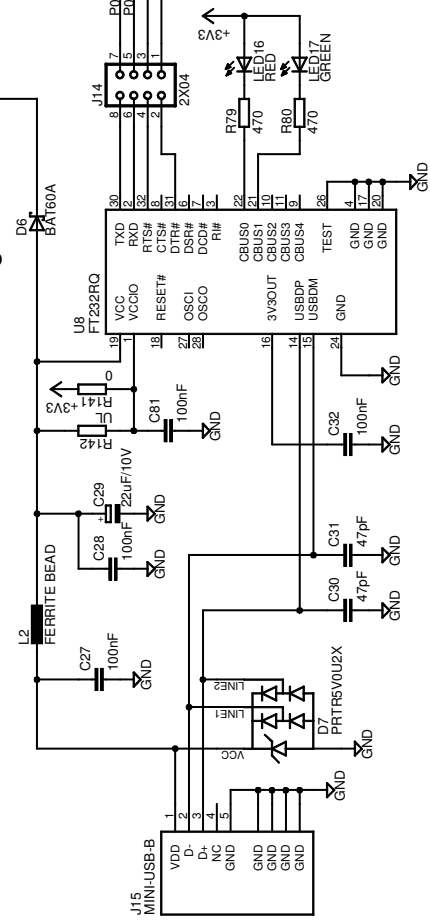
### 3-axis Accelerometer



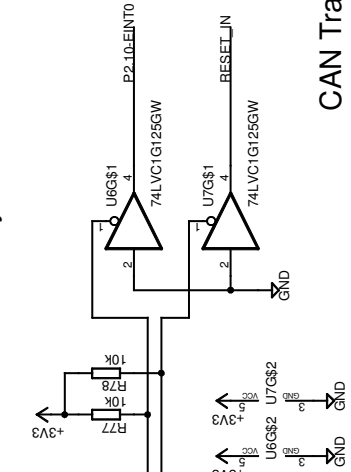
### Power Supply



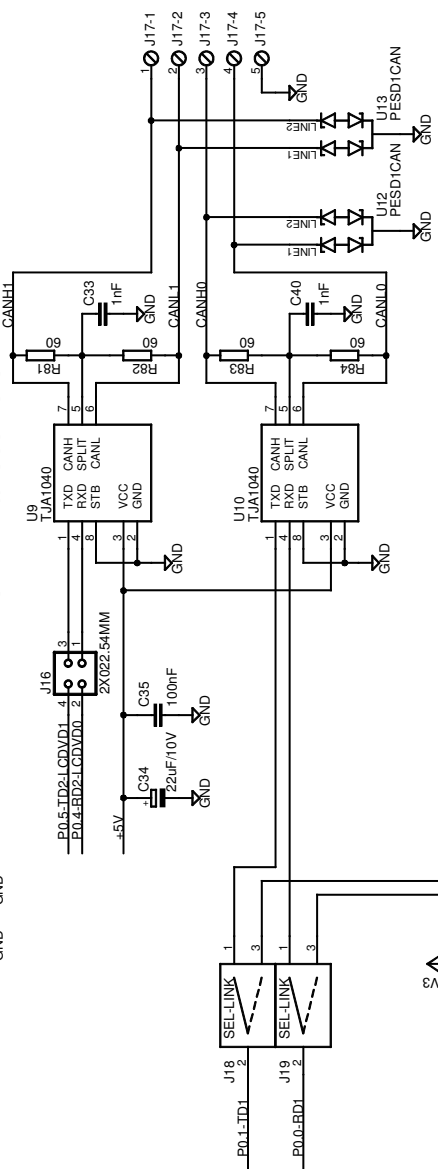
### UART #0 over USB Serial Bridge



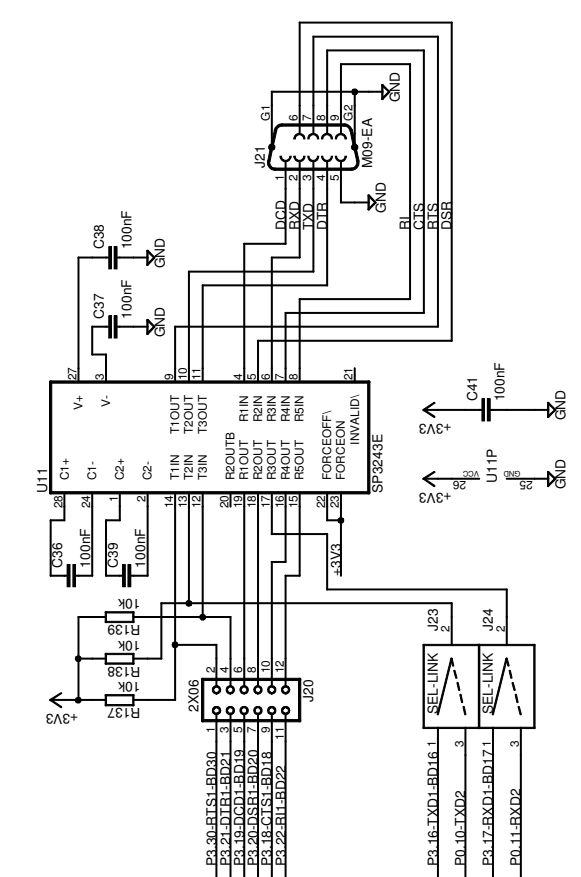
### ISP Functionality



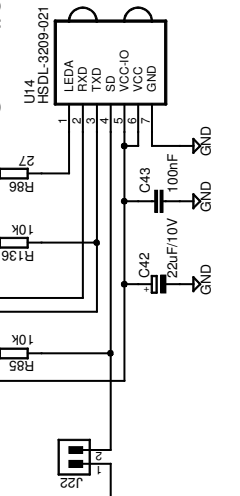
### CAN Transceivers



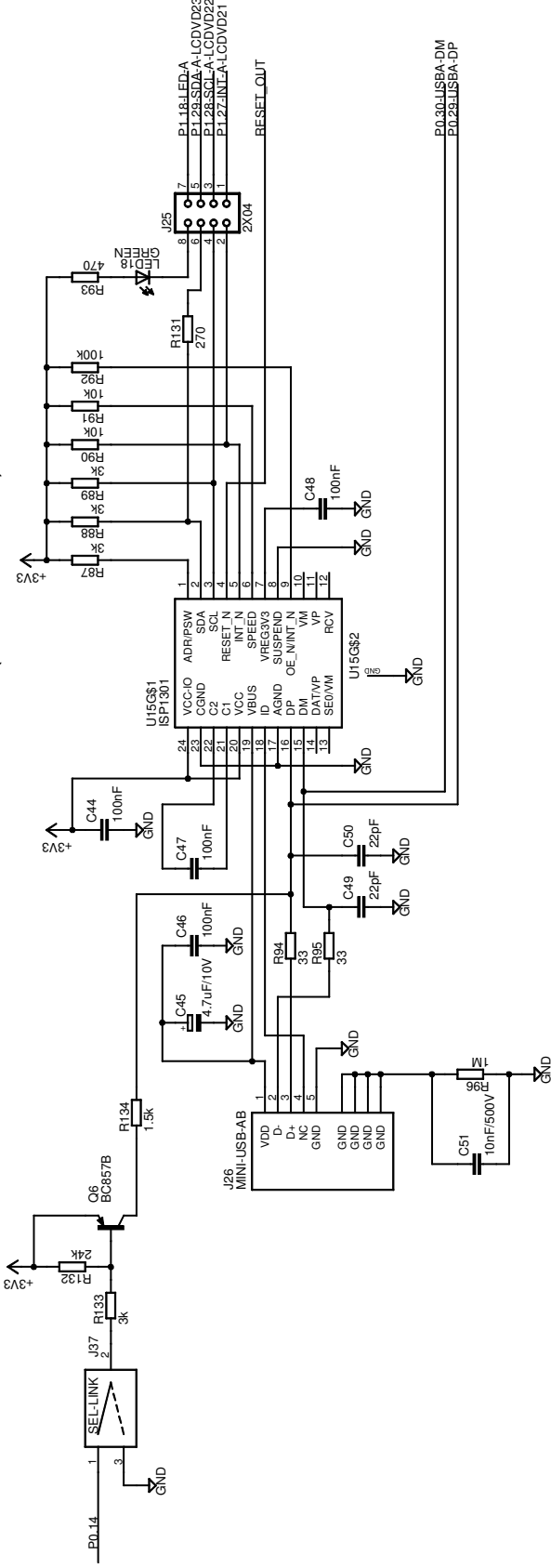
### UART RS232 Full Modem



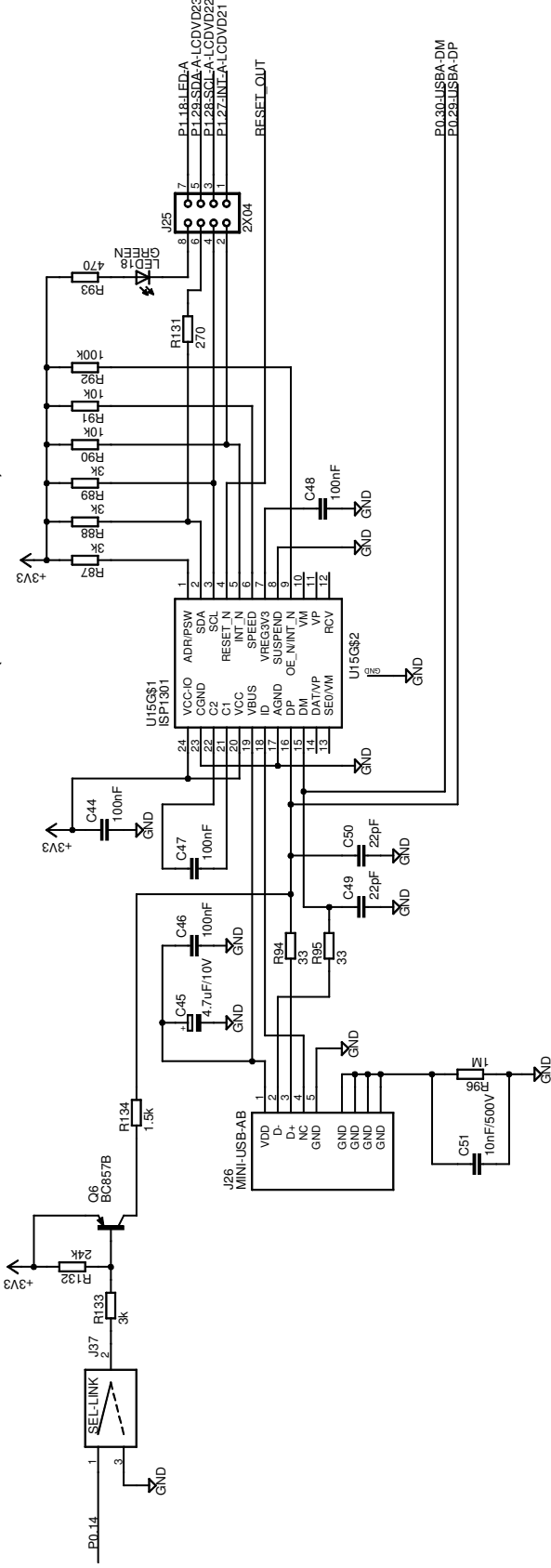
### UART #3 IrDA Transceiver



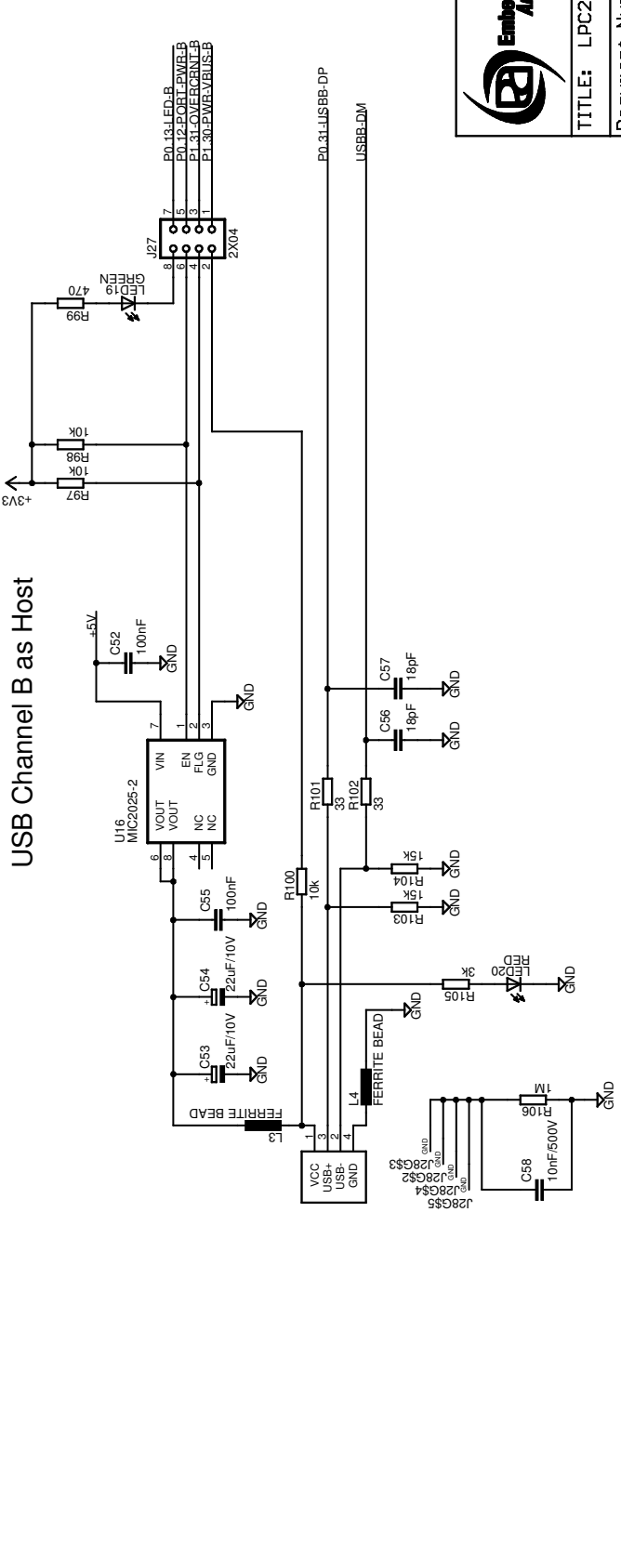
### USB-connect circuit



### USB Channel A (OTG or Device)



### USB Channel B as Host

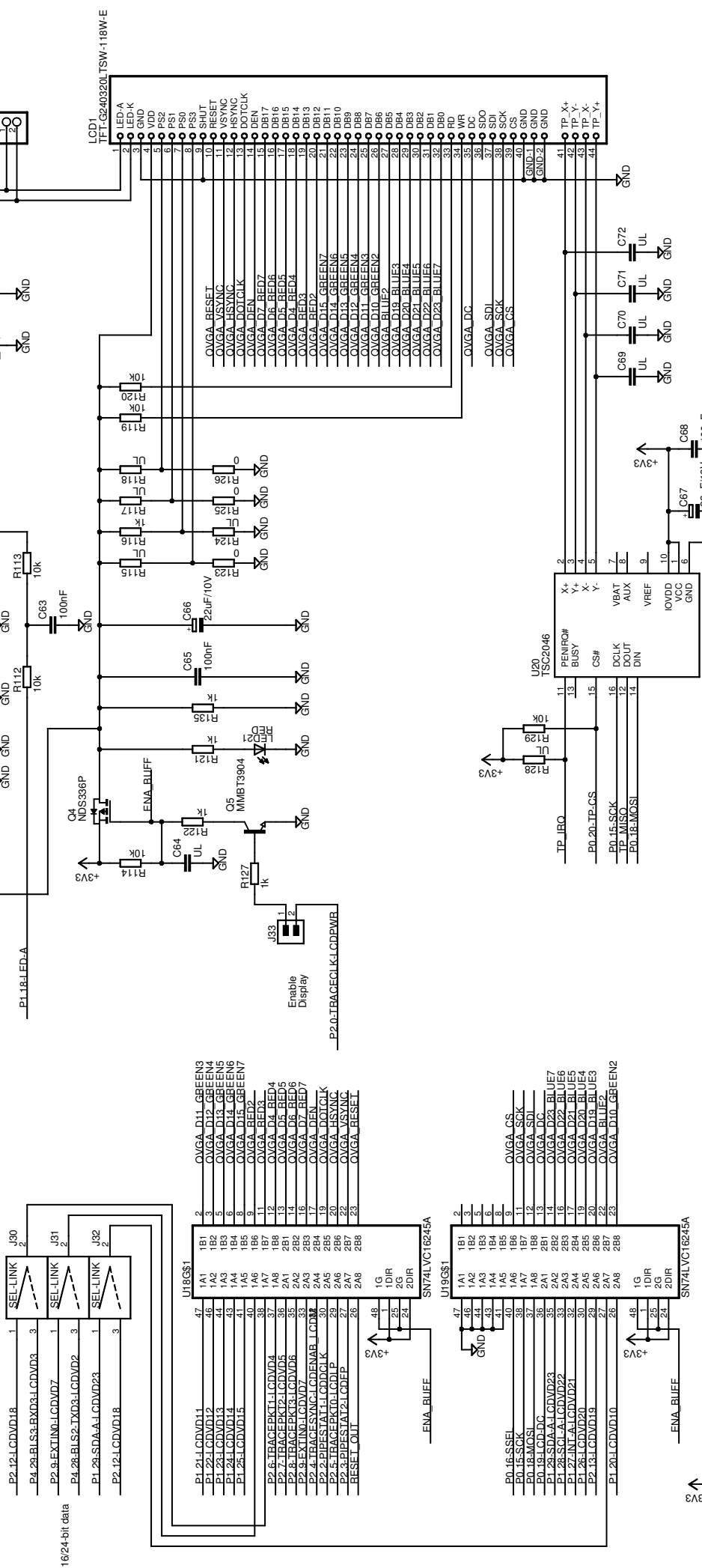


(C) Embedded Artists AB  
 TITLE: LPC24xx QVGA Base Board v1.1.0

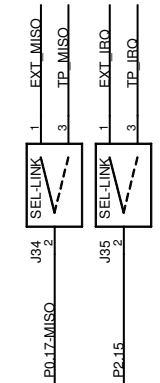
Document Number:

REV: 5/7  
 Date: 2008-12-03 16:52:22

# QVGA Display with Touch Screen Interface



Select Internal or External Display



# LCD Expansion Connector

