

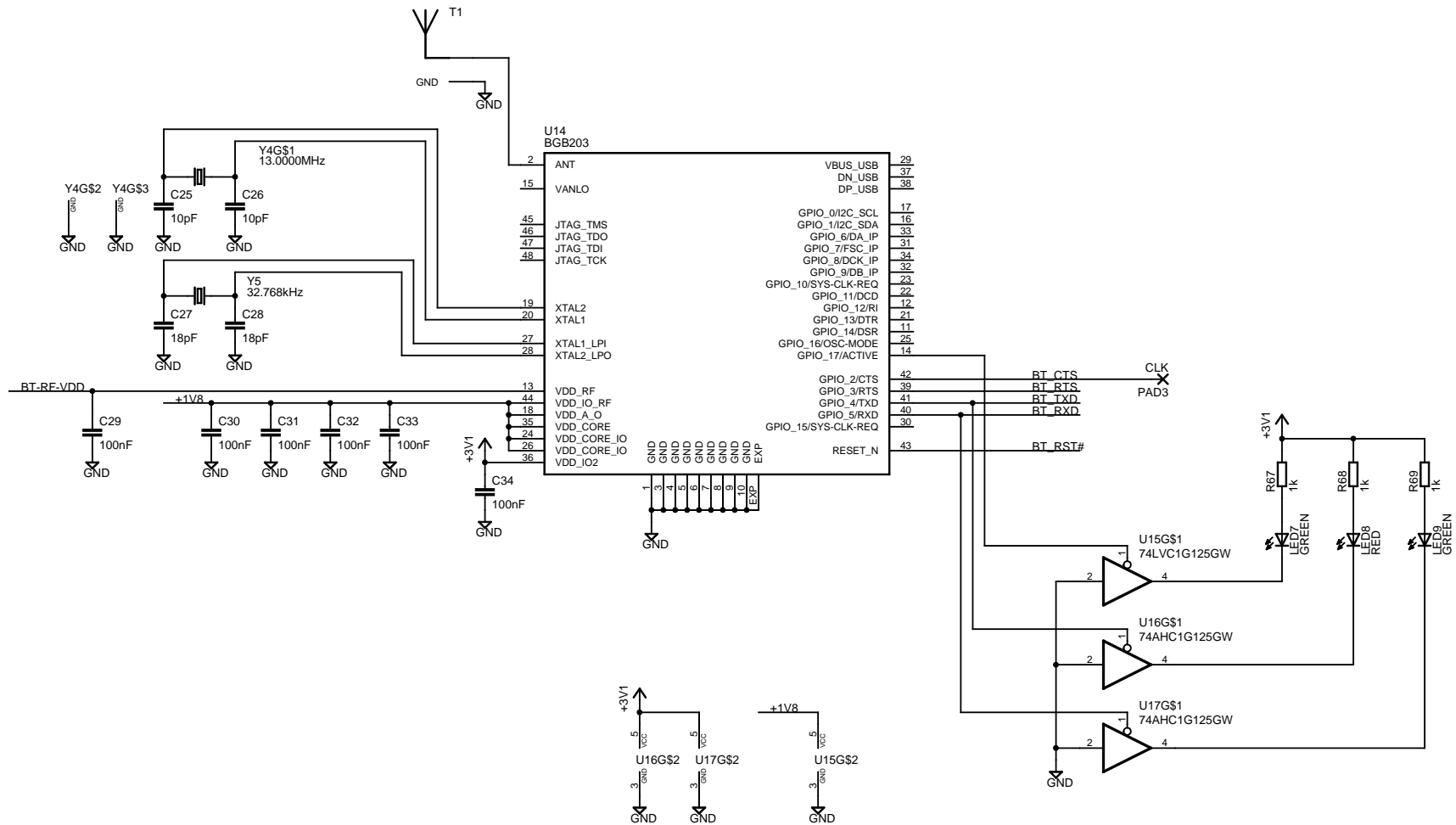
Mounted on embedded JTAG versions

ISP for LPC214x

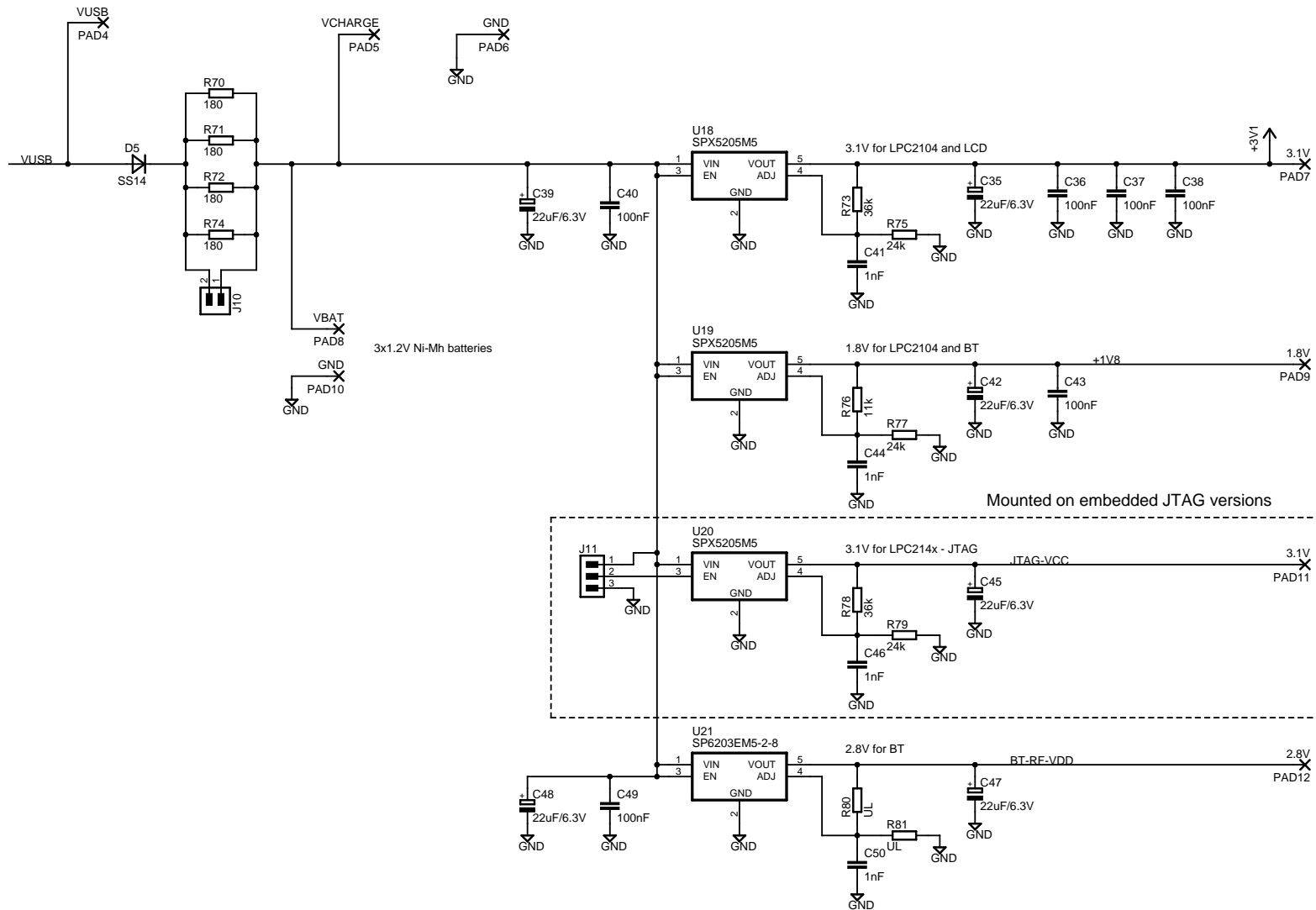
TITLE: LPC2104 Summer Promotion v1.1

Document Number: REV:

Date: 2006-07-21 10:33:14 Sheet: 2/4



TITLE: LPC2104 Summer Promotion v1.1	
Document Number:	REV:
Date: 2006-07-21 10:33:14	Sheet: 3/4



TITLE: LPC2104 Summer Promotion v1.1	
Document Number:	REV:
Date: 2006-07-21 10:33:14	Sheet: 4/4