

Page 2


Expansion connectors, LCD interface, I2C IO-expansion,
RS232 interface, uSD interface, Joystick and accelerometer.

Page 3

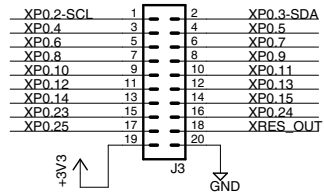
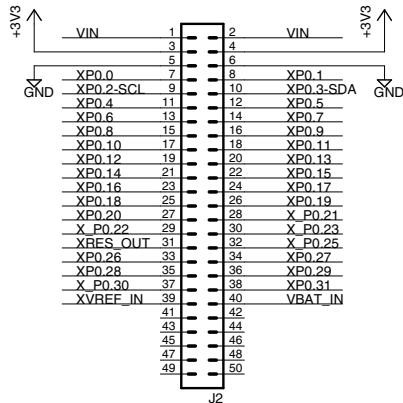
SPI-Ethernet interface and GPS interface

UL = UnLoaded = normally not mounted component.

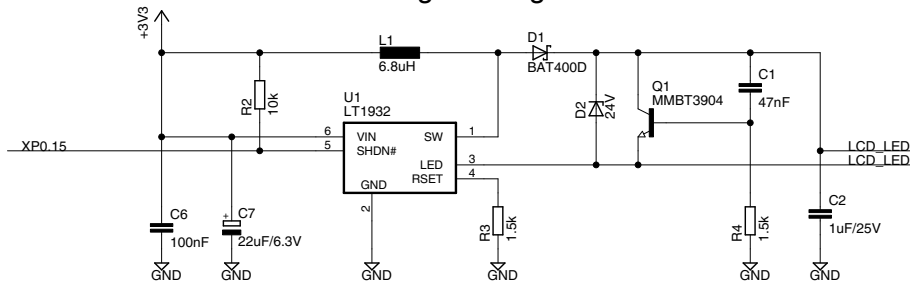
Default jumper settings are indicated in the schematic.
However, always check jumper positions on actual boards
since there is no guarantee that all jumpers are in default place.

Rev 1.1 Switch ETH_CS and ETH_INT control for ENC28J60 (switched XP0.14 and XP0.15)	
Rev 1.0 Original revision	
 Embedded Artists (C) Embedded Artists AB	
TITLE: Experiment Expansion Board v1.1	
Document Number:	REV:
Date: 2009-04-22 22:52:43	Sheet: 1/3

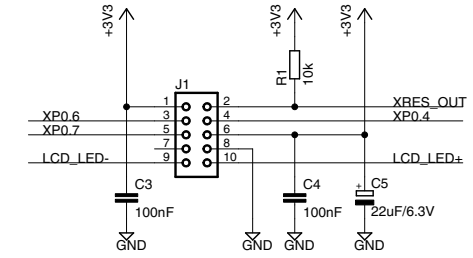
Expansion connectors



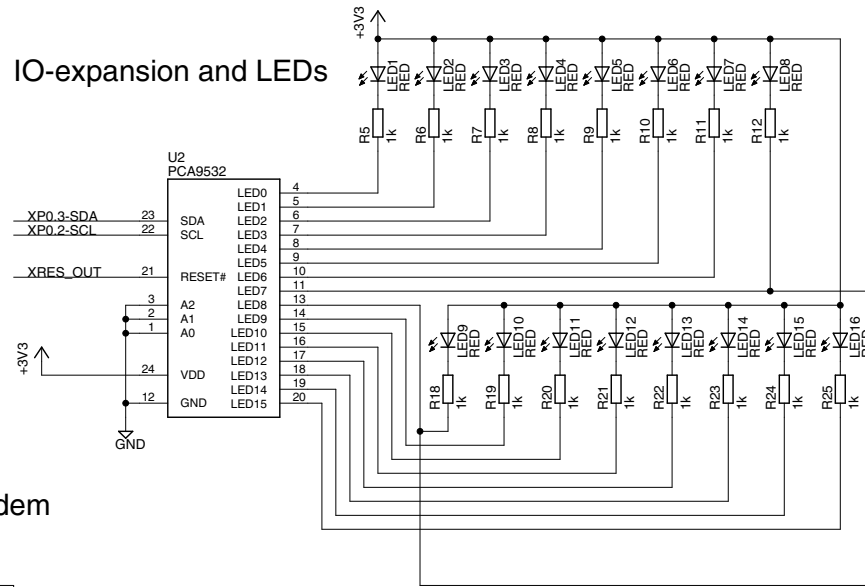
LCD backlight voltage



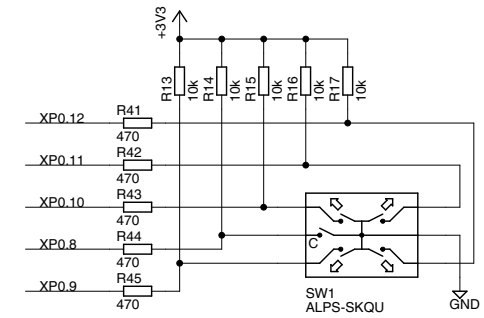
LCD connector



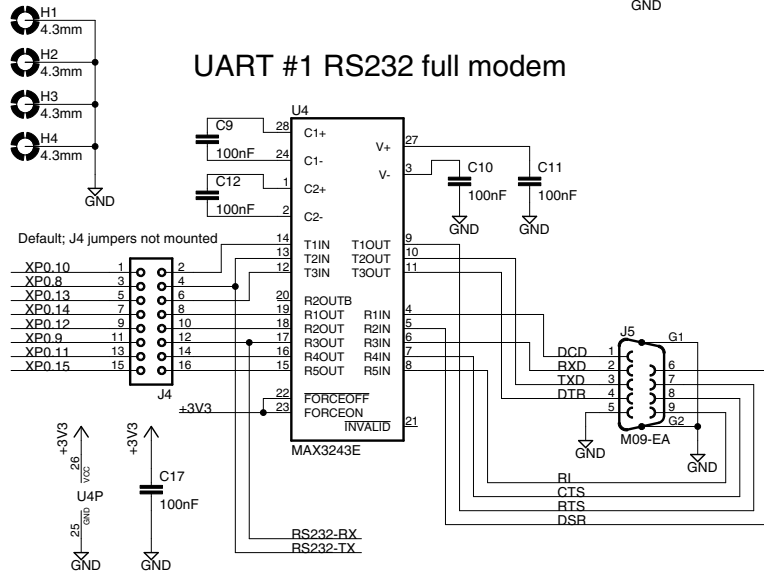
IO-expansion and LEDs



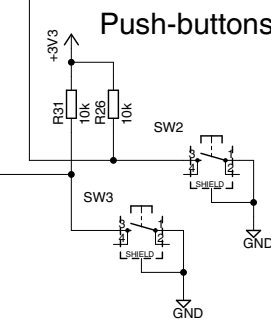
Joystick key



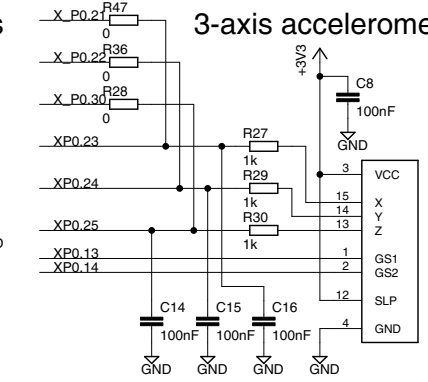
UART #1 RS232 full modem



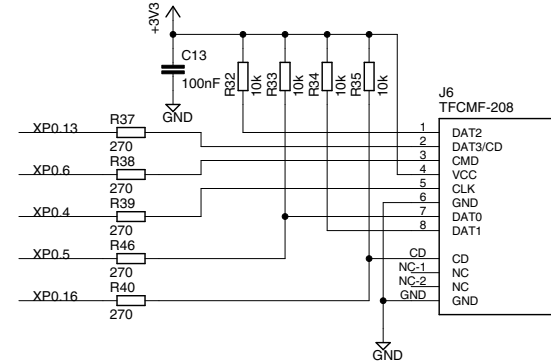
Push-buttons




3-axis accelerometer



uSD/transflash Memory Card I/F



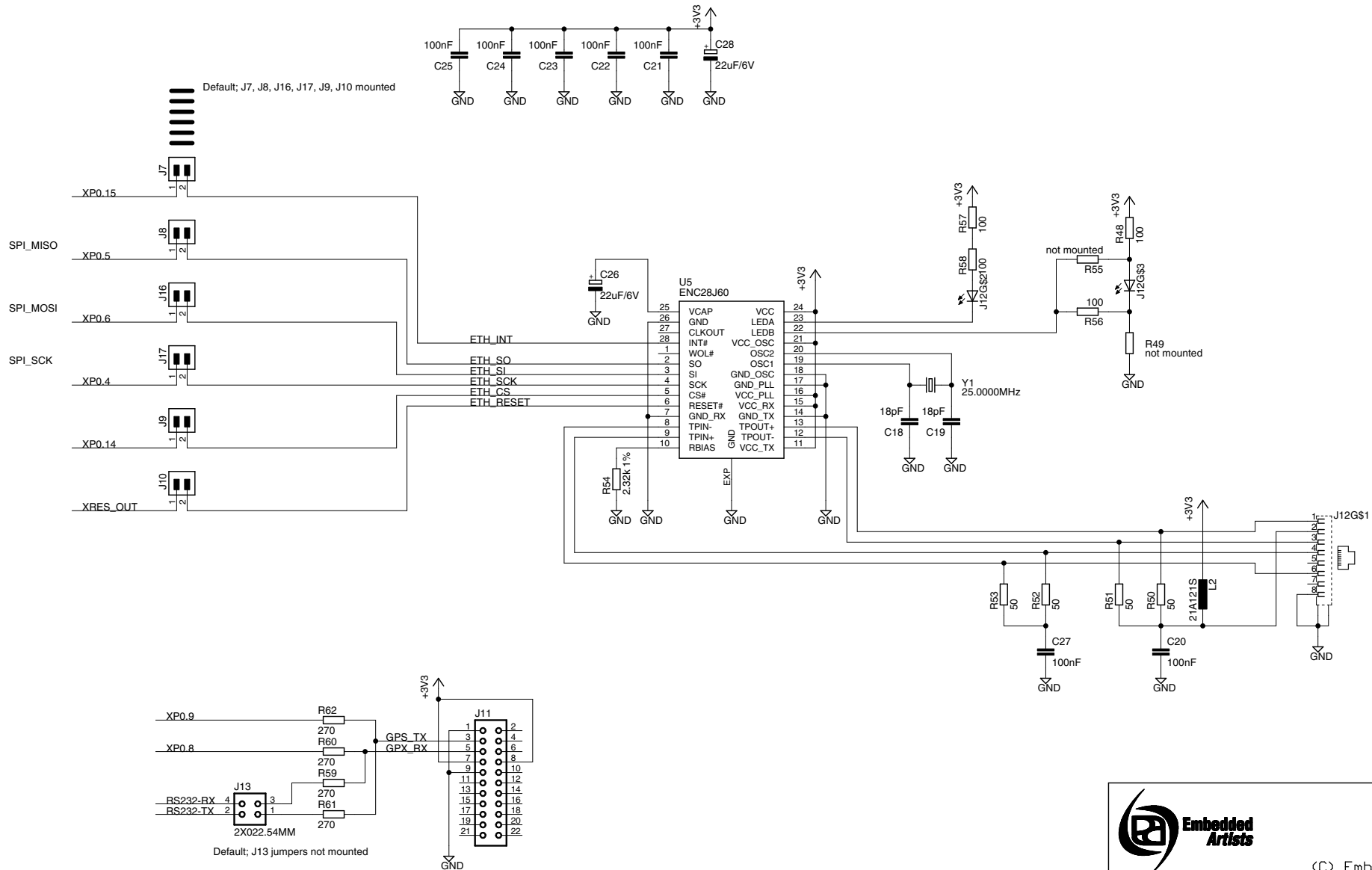


© Embedded Artists AB

TITLE: Experiment Expansion Board v1.1

Document Number: _____ REV: _____

Date: 2009-04-22 22:52:43 Sheet: 2/3



© Embedded Artists AB

TITLE: Experiment Expansion Board v1.1

Document Number: REV:

Date: 2009-04-22 22:52:43 Sheet: 3/3